



COLT'S

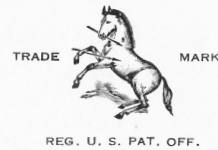
THE ARM OF LAW AND ORDER

[WWW.VIVASANDSON.COM](http://WWW.VIVASANDSON.COM)

*Geo. C. Bartoo*  
*1201 N Howard St*  
*Colt's Revolvers*

*Automatic Pistols*

*Mar 3 - 1927*



*Colt's Patent Fire Arms Manufacturing Co.*  
*Incorporated 1855*  
*Hartford, Conn., U. S. A.*

(A-70-6th)



## —and then the Colt!

The Colt—sea-born, epoch-making bearer of victories, arbiter of strife, “The Arm of Law and Order!”

It was in 1830, on the good ship Corlo, Calcutta-bound, out of Boston, that an inspiration came to the youthful Samuel Colt. And with his pocket knife he whittled in wood the idea which made six guns in one; the idea which revolutionized the armaments of governments and thenceforth guided the destinies of nations.

Six years later, in Paterson, N. J., the original Colt was made by the Patent Arms Manufacturing Company.

In three of the Civil War years Colt’s new plant in Hartford, Conn., furnished 317,920 revolvers—fine models, worthy predecessors of the scientific Colt of today—the gun which, in automatic form, shot respect into the whole world’s foe on the battlefields of France.

Through model after model, war after war, peace after peace, the Colt has lead the way, and by government recognition became—and is still—the standard firearm of the world!

Straight-shooting, hard-hitting, unfailingly reliable, the Colt’s unique history is snugly inter-woven with that of the nation. The Colt appeals to he-men who shoot to hit—bull’s eyes, animals or midnight marauders.

Now read of Colt progress, of the marvellous Colts of *now*—and of the equally marvellous Colts of long ago.

## Colt Revolvers

COLT Revolvers are carefully tested, and with perfect ammunition are capable of making perfect scores. A “possible” or full score of 100 points has been made with an Officers’ Model at fifty yards, off-hand. The World’s Record for the first perfect revolver score recorded under official match conditions at twenty yards, was made with a New Service Target Revolver.

In learning to shoot, commence with a good size mark at short range. This will give confidence and show where the shots strike. Stand easily, weight of body balanced on both feet, face a little to the left, with right foot in advance. Cock the revolver, grasp the stock firmly but not so tightly as to cause trembling. Raise the revolver in line with the bulls eye; draw a deep breath and hold it; bring front sight in line with rear sight notch, and, holding the tip just under the bull, gradually squeeze the trigger until the shot is off. Don’t pull or jerk the trigger.

Keep the revolver clean and in perfect condition; a little careful attention immediately after shooting will be amply repaid by better scores and prolonged life of the weapon.

### *The Sea-born Colt*

Ship ahoy! The day-dreams on tropic seas, the limpid moonlight of monsoonless nights, the fisticuffs of hard Lascar sailors, stirred the inventiveness of young Sam Colt.

’Way back in 1830, on the good ship Corlo he modeled the first six-shot pistol.

And from this Colt has descended today’s standard of the world.

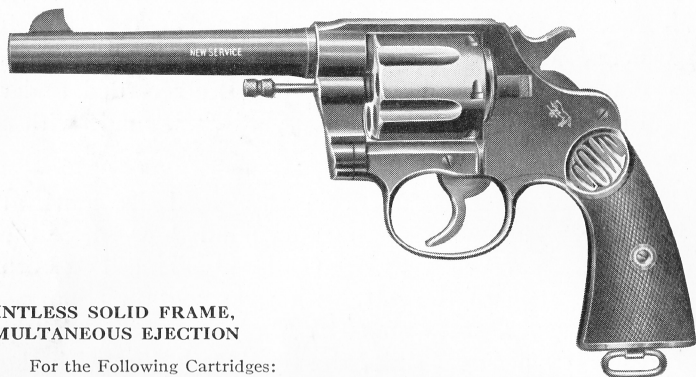


## Colt New Service

Trade Mark Reg. U. S. Pat. Off.

DOUBLE ACTION REVOLVER

\$34.00



### JOINTLESS SOLID FRAME, SIMULTANEOUS EJECTION

For the Following Cartridges:

.38-40 (.38 Winchester.)

.44-40 (.44 Winchester.)

.44 Russian and  
.44 S. & W. Special.

.45 Colt.

Also for the Following English Cartridge:

.455. (Eley's.)

SIX SHOTS.

LENGTH OF BARRELS. 4½, 5½ and  
7½ inches.

FINISH. Full Blued or Full Nickel  
Plated. Rubber Stocks.

WEIGHT. With 4½-inch barrel, 40  
ounces.

LENGTH OVER ALL. With 4½-inch  
barrel, 9¾ inches.

The New Service Revolver was designed for those wishing an especially strong and serviceable arm. Adopted by many Mounted Police and Military Organizations it is essentially a weapon for the Hunter, the Explorer, the Pioneer and outdoor men in general. Lives may safely depend upon its reliability and accuracy while THE COLT POSITIVE LOCK protects from accidental discharge.

### Six Men in One

A wise, old sea-captain laughed.

Later, a doubting world laughed too!

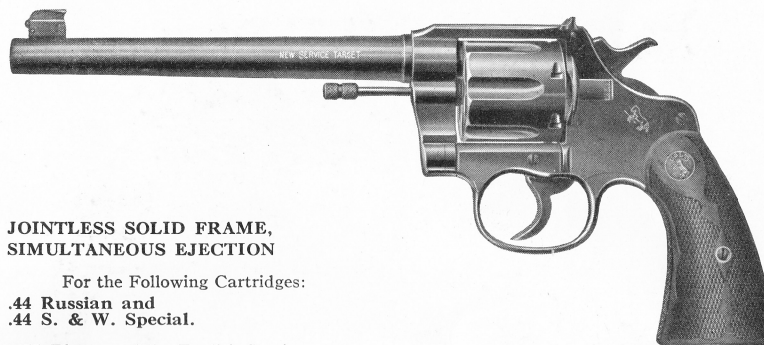
Bang! bang! bang! bang! bang!—  
and six shots rang out! Straight to the mark,  
hard-hitting, true as the steel it was made of,  
Samuel Colt's revolutionary pistol made history!  
What would today's world be without the Colt  
—side arm of nations, protector of frontiers  
and of men?

4

## Colt New Service Target

DOUBLE ACTION REVOLVER

\$50.00



### JOINTLESS SOLID FRAME, SIMULTANEOUS EJECTION

For the Following Cartridges:

.44 Russian and  
.44 S. & W. Special.

.455 Eley. (The English Service  
Cartridge.)

.45 Colt.

Straps and Trigger finely checked.

Action. Hand finished and without equal  
for smoothness and excellence of pull.

Sights. Either "Bead" or "Patridge"  
style as desired. Front Sight adjust-  
able for elevation; Rear Sight with  
adjusting screw, adjustable for wind-  
age.

SIX SHOTS.

LENGTH OF BARREL. 7½ inches.

FINISH. Full Blued. \*Checked Walnut  
Stocks.

WEIGHT. 42 ounces.

LENGTH OVER ALL. 12¾ inches.

A superb Target Model with every detail of construction given the most minute and careful attention, each arm being practically custom built. World's Records have been made with it. It is the choice of the type of shooters who will make the World's Records of the future. Personal safety is of course insured by THE COLT POSITIVE LOCK.

### 1840—The "Walker". 44

The "roarin' forties"—rough-and-ready days of  
red-blooded men and red-skinned foes and  
Colts!

In brave and calloused hands the Colt shot the  
glorious trail of safety to the gold fields of the  
forty-niners.

It brought order to the rich wilderness and  
fathered a host of history-making men!



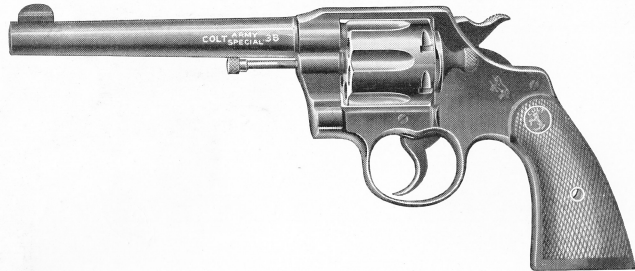
5



## Colt Army Special

DOUBLE ACTION REVOLVER

\$30.00



### JOINTLESS SOLID FRAME, SIMULTANEOUS EJECTION

For the Following Cartridges:

**32-20.** (.32 Winchester.)

**.38 Colt.** (Using .38 Long Colt, .38 Short Colt, .38 Colt Special, also .38 S. & W. Special, Full and Mid Range Loads.)

**SIX SHOTS.**

**LENGTH OF BARRELS.** 4, 5 and 6 inches.

**FINISH.** Full Blued or Full Nickel Plated. Checked Walnut Stocks.

**WEIGHT.** With 6-inch barrel, 35 ounces.

**LENGTH OVER ALL.** With 6-inch barrel, 11¼ inches.

The Colt Army Special is the finest type of revolver for all around use. In one arm of medium size and weight we find the ideal of the Home Owner, the Hunter, the Target Shooter and the Tourist. Simplicity in design and care in manufacture have resulted in reliability of operation as well as accuracy in use. Safety is assured through THE COLT POSITIVE LOCK.

### The fateful Alamo!

Oh, that was a fight! Santa Anna's Mexicans swept on like a rising tide. While Davy Crockett, James Bowie and the handful of red-blooded Americans were annihilated, the ire of the hardy Texans was aroused—then the war of '46 and independence!

The Alamo has been called the "Thermopylae of America".



6

## Colt Officers' Model Target

DOUBLE ACTION REVOLVER

\$40.75



### JOINTLESS SOLID FRAME, SIMULTANEOUS EJECTION

For the Following Cartridges:

**.38 Long Colt, .38 Colt Special, also .38 S. & W. Special, Full and Mid Range Loads.**

Any of these Cartridges may be used in the same Revolver.

**Strap and Trigger** finely checked.

**Action.** Hand finished and without equal for smoothness and excellence of pull.

**Sights.** Either "Bead" or "Patridge" style as desired. Front Sight adjustable for elevation; Rear Sight with adjusting screw, adjustable for windage.

**SIX SHOTS.**

**LENGTH OF BARRELS.** 4½, 6 and 7½ inches.

**FINISH.** Full Blued. Checked Walnut Stocks.

**WEIGHT.** With 6-inch barrel, 34 ounces.

**LENGTH OVER ALL.** With 6-inch barrel, 11¼ inches.

This revolver is made of the finest selected materials; every part tested, inspected and assembled by skilled workmen and every arm shot for target. The Colt Officers' Model well deserves its reputation as the most popular and perfect .38 caliber Target Revolver ever produced, maintaining The Colt Standard of Quality, Durability and Accuracy. Where there are target shooters, there you will find the Officers' Model. Of course THE COLT POSITIVE LOCK is a feature, absolutely preventing accidental discharge.

The Colts of those hard days spat terror into Mexican breasts as these folks made history.

That's long ago—yet, even then, as now, the Colt held its place in making life livable and secure.

The sinews of war that are built into every Colt are the sinews that make it, also, so renowned in peace.



7

## Colt Police Positive

DOUBLE ACTION REVOLVER



\$27.00

### JOINTLESS SOLID FRAME, SIMULTANEOUS EJECTION

For the Following Cartridges:

- .32 Colt Police Positive.** (Using .32 Colt Police Positive; also .32 S. & W. Short and Long Cartridges, when barrel is stamped ".32 Police Ctg.")
- .38 Colt Police Positive.** (Using .38 Colt Police Positive and .38 S. & W. Cartridges.)

### SIX SHOTS.

#### LENGTH OF BARRELS.

Cal. .32, 2½, 4, 5 and 6 inches.  
Cal. .38, 4, 5 and 6 inches.

**FINISH.** Full Blued or Full Nickel Plated.  
Checked Walnut Stocks.

**WEIGHT.** With 4-inch barrel, 20 ounces.

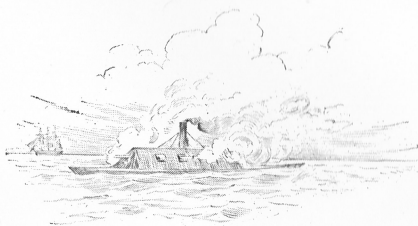
**LENGTH OVER ALL.** With 4-inch barrel, 8¼ inches.

The Police Positive Revolver is designed for your protection. As an official police arm it aids the officer in upholding law and order: in your home it successfully protects your property from unlawful intrusion. Yet THE COLT POSITIVE LOCK protects from any accidental discharge.

### *"Rocked in the Cradle of the Deep"*

A contest of wood and steel. A crash! A roar!  
A hard, round ball shot out from the mysterious iron-clad Merrimac.

All the old bravery of the U. S. Frigate Congress was no match for the glassy-smooth iron sides of the new Confederate ship of death.



## Colt Police Positive Special

DOUBLE ACTION REVOLVER



\$28.50

### JOINTLESS SOLID FRAME, SIMULTANEOUS EJECTION

For the Following Cartridges:

- .32-20** (.32 Winchester.)
- .38 Colt.** (Using in the same arm .38 Long Colt, .38 Short Colt, .38 Colt Special, .38 S. & W. Special, Full or Mid Range Loads.)

### SIX SHOTS.

#### LENGTH OF BARRELS.

Cal. .32-20: 4, 5 and 6 inches.  
Cal. .38: 2, 4, 5 and 6 inches.

**FINISH.** Full Blued or Full Nickel Plated.  
Checked Walnut Stocks.

**WEIGHT.** With 4-inch barrel, 22 ounces.

**LENGTH OVER ALL.** With 4-inch barrel, 8¼ inches.

The Police Positive Special Revolver is for Police Officers who demand an arm of light weight combined with added strength and power. Positive in its action and safe against accidental discharge it is Special in its adaptation to cartridges generally chosen only for use in heavier arms. Truly a Colt and with THE COLT POSITIVE LOCK.

And with the Congress, a splendid old Colt went to a watery grave.

Thirty years later, when the wreck was raised, this Colt was found—its metal parts deeply corroded from its long rest at the bottom of the sea, yet showing the Colt method of forging the tough steel so that its fibres run lengthwise to give the greatest possible strength.

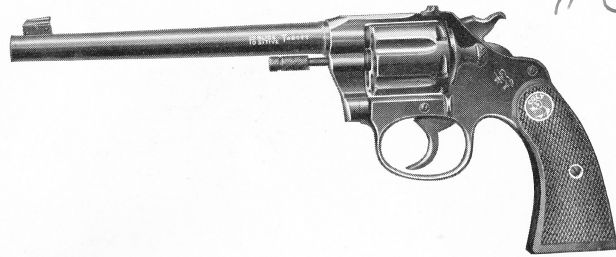
Such material and workmanship make today's Colts what they are. And it guides the choice of governments and sportsmen.





## Colt Police Positive Target

DOUBLE ACTION REVOLVER  
(New Heavy Frame Model)



\$30.00

### JOINTLESS SOLID FRAME, SIMULTANEOUS EJECTION

For the Following Cartridges:

- .22 Short and Long Rifle. (Using .22 Short or Long Rifle Rim Fire Cartridges when barrel is stamped "Cal. .22.")
- .22 W. R. F. (Using *only* the .22 W. R. F. Model 1890 Rifle Cartridge when barrel is stamped ".22 W. R. F.")
- .32 Colt Police Positive. (Using .32 Colt Police Positive, Full and Gallery Loads; also .32 S. & W. Short and Long Cartridges, when barrel is stamped ".32 Police Ctg.")

The Police Positive Target Revolver appeals alike to the Trapper, the Enthusiast, the Camper and the Training Officer. Using inexpensive ammunition of medium power it is equally adaptable to indoor practice and outdoor use. Whether for small game, amusement or serious practice it will be found accurate and dependable. Safety is assured by THE COLT POSITIVE LOCK.

### SIX SHOTS.

LENGTH OF BARREL. 6 inches only.

SIGHTS. Either "Bead" or "Patridge" style, as desired. Front Sight adjustable for elevation; Rear Sight with binding screw, adjustable for windage.

FINISH. Full Blued. Checked Walnut Stocks.

WEIGHT. .22 Cal., 26 ounces.  
.32 Cal., 23 ounces.

LENGTH OVER ALL. 10½ inches.

*"—another Redskin  
bit the Dust!"*

In long files they came, some behind moving bushes. In wide, crazy circles the rainbow-hued, feather-covered warriors careened about the handful of regulars—all on lean, swift, cow-ponies.

Wild yells, fantastic war-whoops, shots from ancient guns, rent the air. Smoke and dust

10

## Colt Pocket Positive

DOUBLE ACTION REVOLVER



\$26.50

### JOINTLESS SOLID FRAME, SIMULTANEOUS EJECTION

For the Following Cartridges:

- .32 Colt Police Positive. (Using .32 Colt Police Positive; also .32 S. & W. Short and Long Cartridges, when barrel is stamped ".32 Police Ctg.")

### SIX SHOTS.

LENGTH OF BARRELS. 2½, 3½ and 6 inches.

FINISH. Full Blued or Full Nickel Plated. Rubber Stocks.

WEIGHT. With 2½-inch barrel, 16 ounces.

LENGTH OVER ALL. With 2½-inch barrel, 6½ inches.

For those who wish a compact, reliable and absolutely safe pocket revolver that will combine all the advantages of the larger Colt models, this sixteen ounce revolver is especially adapted. It is an ideal pocket or house arm, well suited to those with small hands. THE COLT POSITIVE LOCK with its bar of steel guards against accidental discharge.

threw battle-atmosphere into the wild carnage—all to inspire terror.

And then the Colt's rang out—six quick shots each—again and again.

Custer passed into the great beyond, and so did the brave blue boys who stood with him.

But the Colt's taught the Red-skins lessons they never forgot—and here was another glorious chapter added to the history of Colt—and America.



11

## Colt Single Action Army

SINGLE ACTION REVOLVER



### SOLID FRAME. ROD EJECTION

For the Following Cartridges:

**32-20.** (.32 Winchester.)

**38-40.** (.38 Winchester.)

**38 Colt.** (Using .38 Long Colt, 38 Short Colt, .38 Colt Special, also .38 S. & W. Special, Full and Mid Range Loads.)

**.44 Russian and  
.44 S. & W. Special.**

**.44-40.** (.44 Winchester.)

**.45 Colt.**

### SIX SHOTS.

**LENGTH OF BARRELS.** 4¾, 5½ and 7½ inches.

**FINISH.** Case Hardened Frame; Blued Barrel and Straps, or Full Nickel Plated. Rubber Stocks.

**WEIGHT.** .45 Caliber. With 4¾-inch barrel, 37 ounces.

**LENGTH OVER ALL.** With 4¾-inch barrel, 10¼ inches.

The Single Action Army Revolver for over half a century has filled the need for protection where accuracy and extreme durability are required. The favorite of the Old and the New West, more of this arm have been produced than any other revolver ever manufactured. Accurate, rugged and dependable, it is always popular where gun-smiths are fewest. This arm is made safe by carrying the hammer in the safety notch.

### From Sumter to Gettysburg

Those titanic days wove the histories of the Colt and America into an inseparable fabric, when the Union's fate hung by slender threads. Brothers—they fought each other with the hatred of brothers! Each fought for his own ideals: and so it was a war which finally made the nation stronger, bigger, more homogeneous—better.

12

## Colt Automatic Pistols

THE Colt Automatic Pistols are the best known of this type of arm. A selection from this, the most complete line manufactured, may be made with full confidence in the accuracy, reliability and durability of the arm.

The action of these pistols is automatic except that the trigger must be pulled to fire each shot (continued discharge will **not** result from one pull of the trigger). The arm can be discharged at the rate of five to eight shots per second, the cartridges being automatically supplied from a detachable magazine inserted in the handle of the pistol.

After the pistol is charged with a filled magazine, one opening movement is made by hand, bringing the first cartridge into the chamber. On pulling the trigger the cartridge is fired, the empty shell is ejected, and a new cartridge loaded into the chamber. All these operations take place automatically without any manipulation of the arm. This automatic operation of the pistol is effected by the recoil of the moving parts, and as a consequence the recoil is so absorbed in being utilized that it has not the usual disturbing effect.

There are slight differences in the various styles which will be shown on the pages to follow.

And, as in lovers' quarrels, North and South emerged from the conflict, purified in heart; sanctified in deeds of valor and self-sacrifice. And through it all the Colt played its history-making part.

Who knows, but what without this new-day weapon, the destinies of a continent might have been different—and *could* they possibly have become better?

Hail one America—our America!



## Colt Automatic Pistol

GOVERNMENT MODEL, CALIBER .45

(Adopted by the U. S. Government.)

\$36.75



FOR THE .45 RIMLESS,  
SMOKELESS CARTRIDGE.

CAPACITY OF MAGAZINE. 7 shots.

LENGTH OF BARREL. 5 inches.

LENGTH OVER ALL. 8½ inches.

FINISH. Full Blued. Checked Walnut  
Stocks. Checked Trigger and Arched  
Housing.

WEIGHT. 39 ounces.

Since 1911 the regulation side-arm of the U. S. Army, Navy and Marine Corps, this arm is not only the choice of the Service but of a host of civilian users as well. As the most powerful automatic pistol made it has proven superiority in reliability and accuracy. In this model the slide remains open after firing the last shot. Pressing the magazine catch throws out the empty magazine, after which a loaded one may be inserted, the slide stop pressed down and the arm is ready for instant use. The Government Model not only has an outside hammer but accidental discharge is made impossible by the Safety Lock (locking the hammer when at full cock) and THE COLT AUTOMATIC GRIP SAFETY (positive and absolutely automatic in operation).

### The last spike

Prairie wilderness 'way back in '69!

Hardy men had laid the iron trail from the effete East to bring in California's golden flood.

Here the greatest economic event in America's history was dramatized. The last spike was driven to forge the U. P. trail—first of trans-continental railways.



14

## Colt Automatic Pistol

MILITARY MODEL, CALIBER .38

\$43.50



FOR THE .38 RIMLESS,  
SMOKELESS CARTRIDGE.

CAPACITY OF MAGAZINE. 8 shots.

LENGTH OF BARREL. 6 inches.

WEIGHT. 38 ounces.

FINISH. Full Blued. Rubber Stocks.

LENGTH OVER ALL. 9 inches.

The Military Model is well suited for heavy out door duty. Taking the powerful .38 Automatic cartridge, with a comparatively long barrel and the advantages of medium weight and compactness it makes a desirable holster arm. Simple in construction as well as rugged in design, its accuracy and power recommend it for rough and exacting service. The slide remains open after the last shot. Insertion of a full magazine and depressing the slide stop by the thumb of the hand holding the pistol loads the arm ready for use. Accidental discharge is absolutely impossible with the Colt Automatic Pistol.

And now, as we glide over that spot in snug Pullmans, we forget the crafty Indians, the rumbling prairie schooners, the rough fire-lighted camps, the howling coyotes. We forget the good, old Colts that helped blaze the trail and kept the way safe for construction.

So, in the westward march of civilization, the Colt disciplined the shrewd enemy from without—even as it maintains the law's proud majesty today.



15

## Colt Automatic Pistol

POCKET MODEL, CALIBER .38

\$42.25



**FOR THE .38 RIMLESS, SMOKELESS CARTRIDGE.**

**CAPACITY OF MAGAZINE.** 7 shots.

**LENGTH OF BARREL.** 4½ inches.

**FINISH.** Full Blued. Rubber Stocks.

**LENGTH OVER ALL.** 7¼ inches.

**WEIGHT.** 32 ounces.

The .38 caliber Pocket Model though an exceptionally powerful automatic pistol is yet compact and light enough for the Home, the Express Messenger, the Bank Employee or the Motorist. Built as a dependable arm of the pocket type it offers the desirable combination of convenient size with accuracy and extreme power. Accidental discharge is absolutely impossible with THE COLT AUTOMATIC PISTOL.

### Forward! Charge!

Restless, high strung, zealous—they waited the command that loosed fury on the insular foe—and made them famous!

Up, up, up they raced, they charged, against withering rifle fire. Here was bravery in its highest sense. And a bravery that knew no set back.

Up, up, ever up. They fled—routed, crushed,



16

## Colt Automatic Pistol

POCKET MODEL, HAMMERLESS  
CALIBERS .32 AND .380

\$20.50



For the Following Cartridges:  
**Caliber .32 Rimless, Smokeless.**  
**Caliber .380 Rimless, Smokeless.**

**CAPACITY OF MAGAZINE.**  
Cal. .32, 8 shots.  
Cal. .380, 7 shots.

**LENGTH OF BARREL.** 3¾ inches.

**FINISH.** Full Blued or Full Nickel Plated.  
Checked Walnut Stocks.

**WEIGHT.** 23 ounces.

**LENGTH OVER ALL.** 6¾ inches.

This popular Colt Automatic Pistol is a light, well balanced arm; powerful, yet convenient as a personal weapon. Hammerless with a solid breech construction there are no projecting parts, making the arm convenient and dependable for protection. Accidental discharge is made impossible by the Slide Lock as well as the COLT AUTOMATIC GRIP SAFETY. The Slide Lock is thrown on or off by the thumb and not only disconnects the trigger from the operating mechanism but serves as an indicator, showing whether the arm is cocked or not. THE GRIP SAFETY is entirely automatic in operation, locking the mechanism until the pistol is firmly grasped at time of discharge. These two positive safeties absolutely prevent any accidental discharge.

defeated. And the Stars and Stripes waved proudly over that low pinnacle—the San Juan Hill of history.

Here, after that charge with his intrepid Rough Riders, a great man stole America's heart.

And with those brave men, as many Colts mounted the little Cuban hill, to prove, once more that America's faith in Colts was merely Colt's faith in America.



17



## Colt Automatic Pistol

POCKET MODEL, CALIBER .25, HAMMERLESS

\$17.00



**FOR THE .25 RIMLESS, SMOKELESS CARTRIDGE.**

**CAPACITY OF MAGAZINE.** 6 shots.

**LENGTH OF BARREL.** 2 inches.

**LENGTH OVER ALL.** 4½ inches.

**FINISH.** Full Blued, with case-hardened trigger, slide lock safety and grip safety, or Full Nickel Plated. Checked Walnut Stocks.

**WEIGHT.** 13 ounces.

This model Colt has been produced to meet the demand for a pistol combining extra light weight and very small size with the essential features of practical and efficient operation. Weighing but thirteen ounces and only four and one-half inches in length, this arm can be conveniently carried for protective purposes. For its size it has no equal for power, accuracy or effectiveness. Absolute safety is provided by both the Slide Lock and the COLT AUTOMATIC GRIP SAFETY.

Pistols of this model are now fitted with a SAFETY DISCONNECTOR which, when the magazine is withdrawn, positively breaks all connection between the trigger and sear so that if a cartridge is left in the barrel the arm can not be fired, even if the trigger is pulled.



### Tropics—and danger!

Twenty-million dollars gold, we paid the Spaniards for our Philippine archipelago.

Then insurrection let loose with all the tribal, savage fury of badly scared cannibals.

Fast and furious, tedious and cautious—it became a campaign among head hunters and man-eaters, through the swamp and snake infested wilderness, through trackless jungles

## Colt Automatic Pistol

CALIBER .22, TARGET MODEL

\$32.00



**CAPACITY OF MAGAZINE.** 10 shots.

**LENGTH OF BARREL.** 6½ inches.

**LENGTH OVER ALL.** 10½ inches.

**WEIGHT.** 28 ounces.

**FINISH.** Full Blued. Checked Walnut Stocks.

**DISTANCE BETWEEN SIGHTS.** 9 inches.

**SIGHTS.** Either "Bead" or "Partridge" style, as desired. Front Sight adjustable for elevation; Rear Sight with adjusting screw, adjustable for windage.

**CARTRIDGE.** .22 Long Rifle, rim fire (lubricated cartridges) only.

Note: We recommend the use of either "Lesmok" or "Semi-smokeless" ammunition.

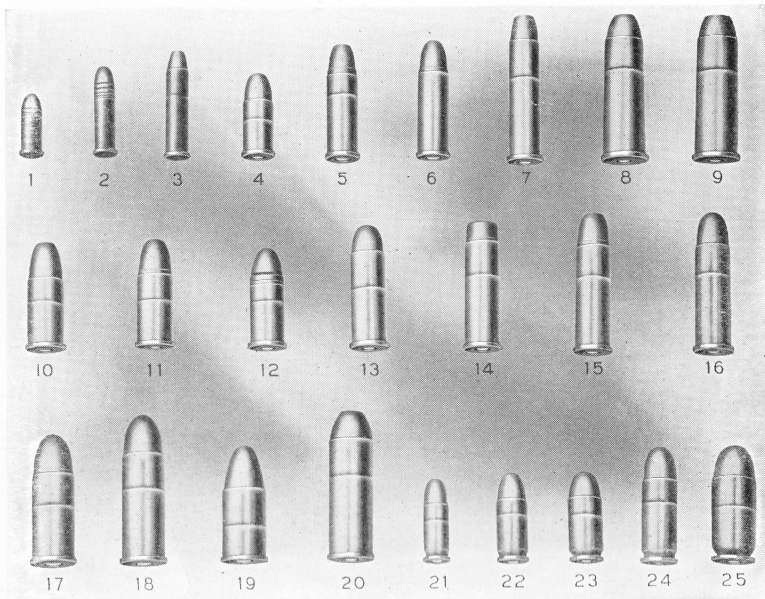
In the Colt .22 Automatic Target Pistol is to be found that rare combination of qualities making up the ideal small bore arm. Chambered for the .22 Long Rifle Cartridge it will also handle the new 200 yard ammunition with perfect satisfaction. Balance, range and accuracy there are for the Target Shooter; simplicity, convenience and killing power for the Hunter and Trapper; while its adaptability to informal practice is a never failing source of enjoyment to the Camper, the Tourist and the Firearms Enthusiast. This arm is equipped with a Safety Lock, permitting the pistol to be carried ready for instant use, yet in perfect safety with the hammer and slide locked against accidental discharge.

seething with a wily, courageous, cruel humanity, bent upon the slaughter of its deliverers.

And here in the jungle, the poison arrows vied for supremacy with Army rifles and Colt revolvers.

And if you visit these rich islands now, you will see a fine western civilization thoroughly planted—for which the Colt helped plow the ground.





*Illustrating Cartridges as listed on opposite page*

The Cartridges designed for use in Colt Revolvers and Automatic Pistols are illustrated above, and with the table on the page opposite it will be easily seen for which model the cartridges are adapted.

*America! To Arms!*

Day of flags—April 6, 1917.

Patriots ran out to enlist. Everybody watched the draft lists.

And soon the boys went swinging down broad avenues to inspiring martial music.

Brave deeds at sea; brave deeds on the war-torn battlefields of France!

Slowly the news filtered through.



## Cartridges

No. 1—.22 Short, . . . . .	{	Police Positive Target.
" 2—.22 Long Rifle, . . . . .	{	Police Positive.
" 3—.22 W. R. F., . . . . .	{	Police Positive Target.
" 4—.32 S. & W. (Short), . . . . .	{	Pocket Positive.
" 5—.32 Colt Police Positive, . . . . .	{	Police Positive.
" 6—.32 S. & W. Long, . . . . .	{	Police Positive Target.
" 7—.32-20, . . . . .	{	Pocket Positive.
" 8—.38-40, . . . . .	{	Army Special.
" 9—.44-40, . . . . .	{	Police Positive Special.
" 10—.38 Colt Police Positive, . . . . .	{	S. A. Army.
" 11—.38 S. & W., . . . . .	{	New Service.
" 12—.38 Short Colt, . . . . .	{	S. A. Army.
" 13—.38 Long Colt, . . . . .	{	New Service.
" 14—.38 S. & W. Special, Mid Range, . . . . .	{	S. A. Army.
" 15—.38 Colt Special, . . . . .	{	Police Positive Special.
" 16—.38 S. & W. Special, . . . . .	{	S. A. Army.
" 17—.44 Russian, . . . . .	{	New Service.
" 18—.44 S. & W. Special, . . . . .	{	New Service Target.
" 19—.455 Eley, . . . . .	{	S. A. Army.
" 20—.45 Colt, . . . . .	{	New Service.
" 2—.22 Long Rifle, . . . . .	{	New Service Target.
" 21—.25 Automatic, . . . . .	{	S. A. Army.
" 22—.32 Automatic, . . . . .	{	.22 Cal. Automatic Pistol, Target Model.
" 23—.380 Automatic, . . . . .	{	.25 Cal. Automatic Pistol.
" 24—.38 Automatic, . . . . .	{	.32 Cal. Automatic Pistol.
" 25—.45 Automatic, . . . . .	{	.380 Cal. Automatic Pistol.
	{	.38 Cal. Automatic Pistol, Military Model.
	{	.38 Cal. Automatic Pistol, Pocket Model.
	{	.45 Cal. Automatic Pistol.

And then the German line bent—broke—fled.

Victory! And the people were drunk with joy. It was over! and the war was won.

Through it all, small arms did real Yankee duty in hand-to-hand fighting, in weeding out machine-gun nests, in taking prisoners.

Colt .45 Automatics were America's standard equipment. Another chapter in which the greatest gun and the greatest nation marched to triumph.



# Information

## POSTAGE AND INSURANCE

Dealers can send Colt Revolvers and Automatic Pistols by Parcel Post, if so ordered, to all parts of the United States. Purchasers must in all cases pay cost of postage, at rates shown below; also insurance at the Post Office rate in addition as follows:

New Service, \$0.10	Army Special, \$0.10	Police Positive, \$0.10
New Service Target, .10	Officers' Model, .10	Police Positive Target, .10
Single Action Army, .10	Police Positive Special, .10	Pocket Positive, .10
Automatic Pistol:	Automatic Pistols:	Automatic Pistol:
Caliber .45,	Caliber .38, .10	Caliber .25, .08
Government Model, .10	Calibers .32 & .380, .08	
	Caliber .22, .10	

Ammunition **can not** be sent through the mails.

Colt Revolvers and Automatic Pistols, packed for shipment, are mailable at the following classification as to weight:

4 lb. rate.	3 lb. rate.	2 lb. rate.
New Service, New Service Target, Single Action Army, Automatic Pistol: Caliber .45, Government Model.	Army Special, Officers' Model, Police Positive Special, Automatic Pistols: Calibers .22, .32, .38 and .380.	Police Positive, Police Positive Target, Pocket Positive, Automatic Pistol: Caliber .25.

For Zone Rate and Cost of Postage see table below.

To calculate the cost of postage on a Revolver or Pistol mailed by a dealer to your address, ascertain from your Postmaster in what **Zone** the dealer is located; then refer to table above for **weight** of arm you desire, find weight in table below and rate of postage will be shown on line with weight and under zone given by Postmaster.

For example: Suppose you are told that a dealer is in the Fourth Zone and you wish to order an "Army Special" Revolver. Reference to table above shows that an "Army Special" is classed under the three-pound rate; locate 3 pounds in table below, follow figures across page till you come to the Fourth Zone and the rate will be found, i. e. seventeen cents (17c.), to which should be added the insurance, ten cents (10c.) making the total cost for postage to be added to your remittance twenty-seven cents (27c.).

Weight.	First zone		Second-zone rate.	Third-zone rate.	Fourth-zone rate.	Fifth-zone rate.	Sixth-zone rate.	Seventh-zone rate.	Eighth-zone rate.
	Local rate.	Zone rate.							
1 pound	\$0.07	\$0.07	\$0.07	\$0.08	\$0.09	\$0.10	\$0.11	\$0.13	\$0.14
2 pounds	.08	.08	.08	.10	.13	.16	.19	.23	.26
3 pounds	.08	.09	.09	.12	.17	.22	.27	.33	.38
4 pounds	.09	.10	.10	.14	.21	.28	.35	.43	.50

## ORDERS

In sending orders care should be taken to give shipping directions and to state plainly the **model** and **caliber** of the Arm desired, **length of barrel** and the **finish**,—blued or nickel.

A convenient Order Blank (to be sent to your dealer) will be found on page 39.

No goods sent on approval.

## REPAIRS

All Arms or parts of same sent to us should be plainly marked with the name and address of the sender, with postage, express or freight charges fully prepaid.

Estimate of cost for repairs will be sent on receipt of Arm for approval before proceeding with work.

Repairs are given as prompt attention as is possible.

## EXCHANGE

As we have no means of disposing of second-hand arms, we must decline all offers of exchange.

## FINISH

The regular finish of Revolvers is Blued or Full Nickered, with checked walnut or hard rubber stocks as indicated in specifications.

Blue finish is always supplied unless otherwise specified.

Target Revolvers are Blue finish only, with checked walnut stocks.

Automatic Pistols are Blue finish only, except Calibers .25, .32 and .380, which can be had Full Nickel Plated.

Our Arms can be supplied with gold or silver plating, inlaid work and engraving, pearl and ivory stocks, plain with monogram, or special design,—prices depending upon the amount and character of work desired.

On page 26 will be found illustrations of three popular models with fancy stocks in pearl and ivory, and with style and amount of engraving ranging from \$10.00 and upwards.

## AMMUNITION

Care should be taken to use the proper cartridges adapted to the respective weapons.



We also request that factory ammunition be used exclusively, as with home loading errors are bound to occur, and we cannot be held responsible for trouble arising from the use of ammunition other than that loaded by responsible cartridge manufacturers (and guaranteed by them).

Caliber .32-20, .38-40 and .44-40 "High Velocity", or "High Speed" Rifle Cartridges as manufactured for use in rifles are not intended for revolvers.

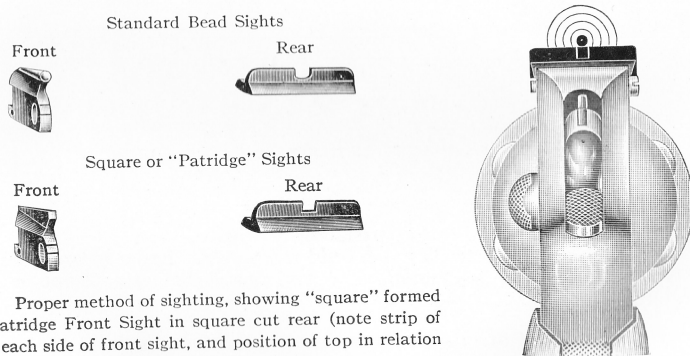
### SOLID FRAME

All **Colt Revolvers** have solid frames, thereby combining strength, symmetry and durability.

### SIGHTS

The standard sight equipment of our Target Arms is a medium sized round or bead front and U-rear. Larger or smaller bead with corresponding rear sights supplied at no extra cost.

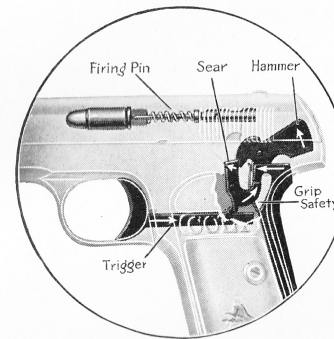
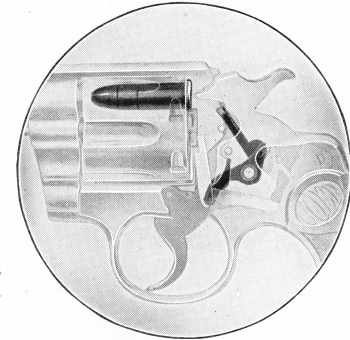
We can also furnish, if desired, the square or "Patridge" sights in substitution for standard sights on New Service Target, Officers' Model Target and Police Positive Target Revolvers and Caliber .22 Automatic Pistol.



Proper method of sighting, showing "square" formed by Patridge Front Sight in square cut rear (note strip of light each side of front sight, and position of top in relation to top of rear sight and under bullseye).

**COLT POSITIVE LOCK** embodied in Colt Revolvers described herein (except Single Action Army) is arranged to operate automatically between face of hammer and frame, and at the time trigger is pulled, is drawn away, permitting the full impact of the hammer to come directly upon the cartridge. At all other times the Positive Lock prevents the firing pin from coming in contact with the cartridge, thereby making accidental discharge absolutely impossible.

Should the revolver be dropped, striking on the hammer, or if by any other means a blow be delivered to the hammer, discharge can not occur. If, when cocking, the hammer should slip, it can not come in contact with the cartridge.



**COLT AUTOMATIC GRIP SAFETY**, as incorporated in Calibers .32 and .380 Colt Automatic Pistols. (A similar device is also applied to the Calibers .25 and .45.)

The front arm of the U-shaped sear engages the hammer notch; the lower point rests against end of trigger, and the short rear arm of the sear lies directly under the hooked end of the grip safety.

Pulling the trigger will move the arms of the pivoted sear in two directions—the long arm moves to the front and out of the notch of the hammer, releasing the same, and the short arm moves upward. BUT, as the hooked end of the grip safety lies directly above the short arm of the sear, it is easily seen that the sear is securely blocked until the grip safety is pressed inward (to the front as indicated by arrow), then the hooked end clears the short arm of the sear and permits it to move upward into the hollow in rear of the hook.

It will thus be plainly seen that the Colt Automatic Grip Safety positively prevents accidental discharge.

### GUARANTEE

We guarantee our Revolvers and Pistols, and will remedy any defects in workmanship or material, without charge, upon receipt of the Arm, express charges prepaid.

If the Arm does not work satisfactorily with the ammunition used, try cartridges of other manufacture. Should the trouble then appear to be with the Arm, send it to us for examination and test. Do not attempt to make any alterations in the mechanism.

**Our Arms are fully guaranteed for use with *Smokeless* and other powders in standard, factory-loaded Revolver ammunition.**

## *Arms De Luxe*



Whether it be a presentation arm or the favorite weapon of a shooter, The Colt's Pat. Fire Arms Mfg. Co. has always taken great pride in the quality of its especially finished Arms. Exact commissions as illustrated above are continually being executed. Select stocks in choice pearl and ivory (either carved or plain) can be fitted to Colt arms, while engraving may be as chaste or ornate as desired. Skilled workmen in our plating room have had years of experience in fine gold and silver plate while intricate designs in precious metals may be inlaid as fancy dictates. Estimates for any work of this character will be gladly furnished through your local dealer.

Estimates for various styles of engraving and fancy stocks will be given on application.

## *Price List* *of* *Component Parts*

In ordering, the following should be observed:

Give Name of Model, Caliber of the Arm, also Number, which will be found on the butt or on that part of the frame which is shown when the cylinder is swung out.

Give Number and Name of part desired as illustrated in the following pages.

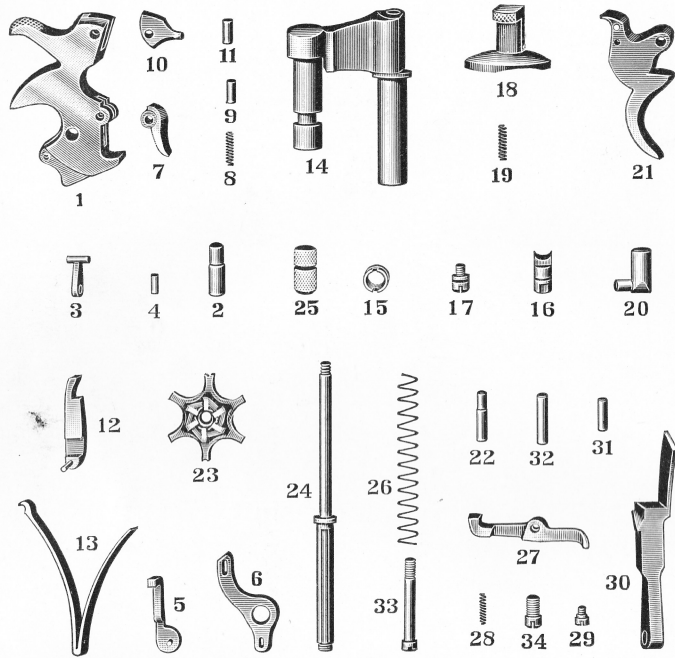
Parts can be mailed, and when so ordered postage must be added to the remittance. See page 22.

In remitting, kindly send Draft, Express Money Order, Post Office Money Order or Stamps. As our banks charge exchange, we cannot accept personal checks.

We can supply many of the parts of the models previously manufactured by this company. An illustrated folder showing them will be sent on request.

# Component Parts of

"NEW SERVICE" AND "NEW SERVICE TARGET"\*  
REVOLVERS

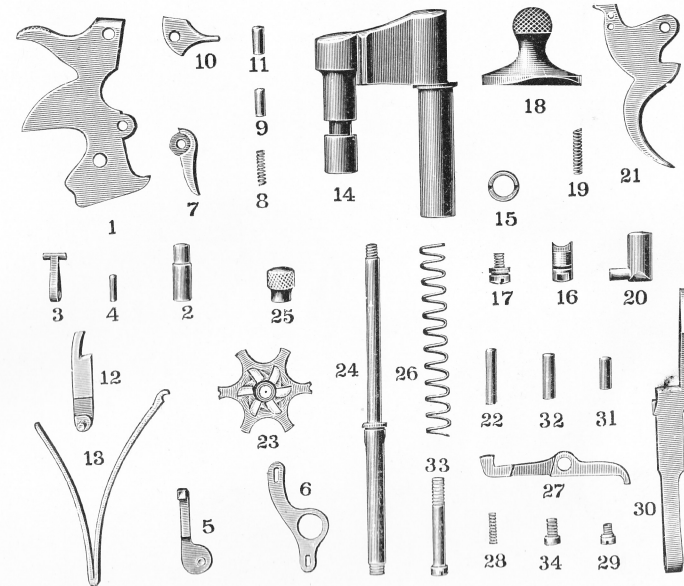


\* Extra price charged for New Service Target Revolver parts. In ordering parts specify number of Revolver.

1 Hammer, complete, . . . . .	\$3.00	23 Ejector and Ratchet, . . . . .	\$1.25
2 Hammer Pin, . . . . .	.10	24 Ejector Rod, . . . . .	.65
3 Hammer Stirrup, . . . . .	.30	25 Ejector Rod Head, . . . . .	.20
4 Hammer Stirrup Pin, . . . . .	.10	26 Ejector Spring, . . . . .	.15
5 Safety, . . . . .	.40	27 Bolt, . . . . .	.75
6 Safety Lever, . . . . .	.15	28 Bolt Spring, . . . . .	.10
7 Strut, . . . . .	.40	29 Bolt Screw, . . . . .	.10
8 Strut Spring, . . . . .	.10	30 Rebound Lever, . . . . .	1.30
9 Strut Pin, . . . . .	.10	31 Rebound Lever Pin, . . . . .	.10
10 Firing Pin, . . . . .	.25	32 Stock Pin, . . . . .	.10
11 Firing Pin Rivet, . . . . .	.10	33 Stock Screw, . . . . .	.10
12 Hand, . . . . .	.75	34 Side Plate Screw, . . . . .	.10
13 Main Spring, . . . . .	.90	Cylinder, complete, . . . . .	5.25
14 Crane, . . . . .	4.00	Barrel, . . . . .	4.50
15 Crane Bushing, . . . . .	.10	Stocks, Rubber, per pair, . . . . .	1.15
16 Crane Lock, . . . . .	.25	Escutcheons, per set, . . . . .	.10
17 Crane Lock Screw, . . . . .	.10	Recoil Plate, . . . . .	.10
18 Latch, . . . . .	1.50	Swivel, complete, . . . . .	.40
19 Latch Spring, . . . . .	.10	Swivel Pin, . . . . .	.10
20 Latch Pin, . . . . .	.25	Frame, complete, . . . . .	19.00
21 Trigger, . . . . .	1.10	Side Plate, . . . . .	1.95
22 Trigger Pin, . . . . .	.10		

# Component Parts of

COLT ARMY SPECIAL AND OFFICERS' MODEL\*  
REVOLVERS



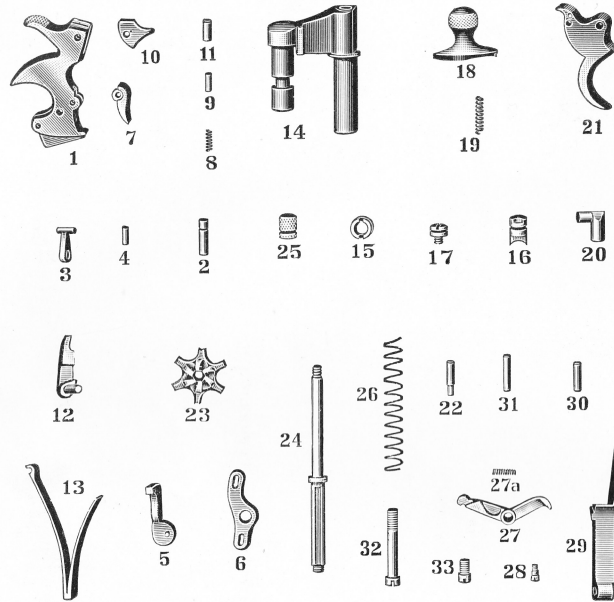
\* Extra price charged for Officers' Model parts.

1 Hammer, complete, . . . . .	\$2.70	22 Trigger Pin, . . . . .	\$0.10
2 Hammer Pin, . . . . .	.10	23 Ejector and Ratchet, . . . . .	1.20
3 Hammer Stirrup, . . . . .	.30	24 Ejector Rod, . . . . .	.50
4 Hammer Stirrup Pin, . . . . .	.10	25 Ejector Rod Head, . . . . .	.20
5 Safety, . . . . .	.40	26 Ejector Spring, . . . . .	.15
6 Safety Lever, . . . . .	.15	27 Bolt, . . . . .	.75
7 Strut, . . . . .	.40	28 Bolt Spring, . . . . .	.10
8 Strut Spring, . . . . .	.10	29 Bolt Screw, . . . . .	.10
9 Strut Pin, . . . . .	.10	30 Rebound Lever, . . . . .	1.20
10 Firing Pin, . . . . .	.25	31 Rebound Lever Pin, . . . . .	.10
11 Firing Pin Rivet, . . . . .	.10	32 Stock Pin, . . . . .	.10
12 Hand, . . . . .	.75	33 Stock Screw, . . . . .	.10
13 Main Spring, . . . . .	.80	34 Side Plate Screw, . . . . .	.10
14 Crane, . . . . .	3.75	Frame, complete, . . . . .	18.00
15 Crane Bushing, . . . . .	.10	Side Plate, . . . . .	1.90
16 Crane Lock, . . . . .	.25	Cylinder, complete, . . . . .	5.50
17 Crane Lock Screw, . . . . .	.10	Barrel, . . . . .	3.75
18 Latch, . . . . .	1.30	Stocks, Rubber, per pair, . . . . .	1.15
19 Latch Spring, . . . . .	.10	Stocks, Checked Walnut, per pair	2.00
20 Latch Pin, . . . . .	.25	Escutcheons, per set, . . . . .	.10
21 Trigger, . . . . .	1.10	Recoil Plate, . . . . .	.10



# Component Parts of

"POLICE POSITIVE" CALIBER .38 AND "POLICE POSITIVE SPECIAL" REVOLVERS, CALIBERS .32-20 and .38

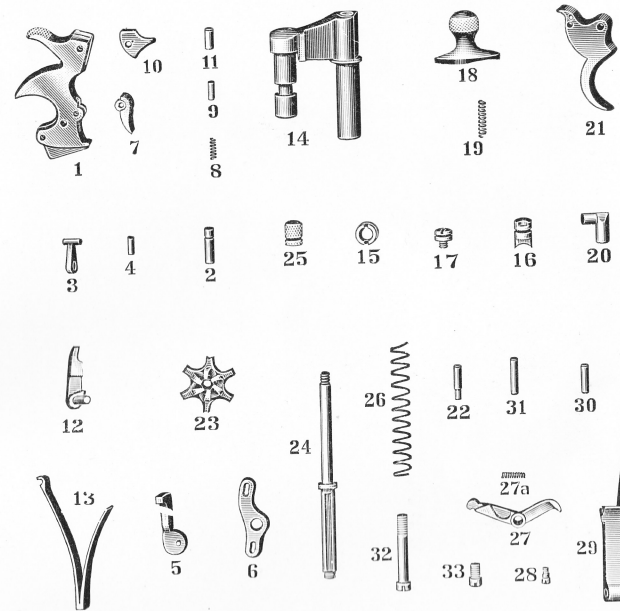


Specify in ordering whether "Police Positive" or "Police Positive Special"

1 Hammer, complete, . . . . .	\$2.50	22 Trigger Pin, . . . . .	\$0.10
2 Hammer Pin, . . . . .	.10	23 Ejector and Ratchet, . . . . .	1.10
3 Hammer Stirrup, . . . . .	.30	24 Ejector Rod, . . . . .	.45
4 Hammer Stirrup Pin, . . . . .	.10	25 Ejector Rod Head, . . . . .	.20
5 Safety, . . . . .	.40	26 Ejector Spring, . . . . .	.15
6 Safety Lever, . . . . .	.15	27 Bolt, . . . . .	.75
7 Strut, . . . . .	.40	27a Bolt Spring, . . . . .	.10
8 Strut Spring, . . . . .	.10	28 Bolt Screw, . . . . .	.10
9 Strut Pin, . . . . .	.10	29 Rebound Lever, . . . . .	1.10
10 Firing Pin, . . . . .	.25	30 Rebound Lever Pin, . . . . .	.10
11 Firing Pin Rivet, . . . . .	.10	31 Stock Pin, . . . . .	.10
12 Hand, . . . . .	.60	32 Stock Screw, . . . . .	.10
13 Main Spring, . . . . .	.60	33 Side Plate Screw, . . . . .	.10
14 Crane, . . . . .	3.50	Frame and Side Plate, . . . . .	17.00
15 Crane Bushing, . . . . .	.10	Side Plate, . . . . .	2.25
16 Crane Lock, . . . . .	.25	Cylinder, . . . . .	5.50
17 Crane Lock Screw, . . . . .	.10	Barrel, . . . . .	3.40
18 Latch, . . . . .	1.15	Recoil Plate, . . . . .	.10
19 Latch Spring, . . . . .	.10	Stocks, Checked Walnut, per pair	2.00
20 Latch Pin, . . . . .	.25	Escutcheons, per set, . . . . .	.10
21 Trigger, . . . . .	1.00		

# Component Parts of

"POCKET POSITIVE," "POLICE POSITIVE" CALIBER .32, AND "POLICE POSITIVE TARGET"\* CALIBER .22 AND .32 REVOLVERS



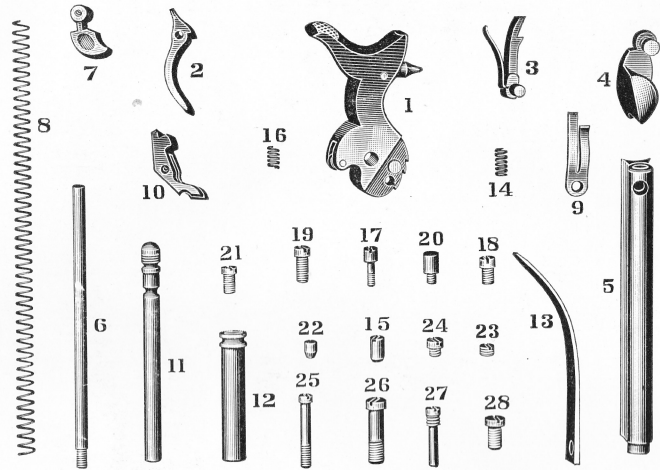
\* Extra price charged for Target Revolver Parts. In ordering Parts, specify number and caliber of Revolver.

1 Hammer, complete, . . . . .	\$2.50	23 Ejector and Ratchet, . . . . .	\$1.00
2 Hammer Pin, . . . . .	.10	24 Ejector Rod, . . . . .	.45
3 Hammer Stirrup, . . . . .	.30	25 Ejector Rod Head, . . . . .	.20
4 Hammer Stirrup Pin, . . . . .	.10	26 Ejector Spring, . . . . .	.15
5 Safety, . . . . .	.40	27 Bolt, . . . . .	.75
6 Safety Lever, . . . . .	.15	27a Bolt Spring, . . . . .	.10
7 Strut, . . . . .	.40	28 Bolt Screw, . . . . .	1.10
8 Strut Spring, . . . . .	.10	29 Rebound Lever, . . . . .	.10
9 Strut Pin, . . . . .	.10	30 Rebound Lever Pin, . . . . .	.10
10 Firing Pin, . . . . .	.25	31 Stock Pin, . . . . .	.10
11 Firing Pin Rivet, . . . . .	.10	32 Stock Screw, . . . . .	.10
12 Hand, . . . . .	.60	33 Side Plate Screw, . . . . .	.10
13 Main Spring, . . . . .	.60	Frame and Side Plate, . . . . .	17.00
14 Crane, . . . . .	3.25	Side Plate, . . . . .	1.40
15 Crane Bushing, . . . . .	.10	Cylinder, . . . . .	5.30
16 Crane Lock, . . . . .	.25	Barrel, 2½ or 3½ ins., . . . . .	2.75
17 Crane Lock Screw, . . . . .	.10	Barrel, 4, 5, or 6 ins., . . . . .	3.25
18 Latch, . . . . .	1.15	Recoil Plate, . . . . .	.10
19 Latch Spring, . . . . .	.10	*Stocks, Checked Walnut, per pair	2.00
20 Latch Pin, . . . . .	.25	Escutcheons, per set, . . . . .	.10
21 Trigger, . . . . .	.90		
22 Trigger Pin, . . . . .	.10		

\*\*"Police" models only; Rubber Stocks for "Pocket Positive" only, per pair, . . . . . 1.15

# Component Parts of

"SINGLE ACTION ARMY" REVOLVER



In ordering, give number of revolver and part.

1 Hammer, . . . . .	\$2.00	20 Ejector Tube Screw, . . . . .	\$0.10
2 Trigger, . . . . .	.60	21 Back Strap Screw (2) ea. . . . .	.10
3 Hand and Hand Spring, . . . . .	.50	Front Strap Screw, . . . . .	.10
4 Gate, . . . . .	1.25	22 Gate Catch, . . . . .	.10
5 Ejector Tube, . . . . .	3.00	23 Gate Catch Screw, . . . . .	.10
6 Ejector Rod, . . . . .	.10	24 Sear and Bolt Spring Screw, . . . . .	.10
7 Ejector Head, . . . . .	.90	25 Stock Screw, . . . . .	.10
8 Ejector Spring, . . . . .	.10	26 Hammer Screw, . . . . .	.10
9 Sear and Bolt Spring, . . . . .	.15	27 Trigger and Bolt Screw, . . . . .	.10
10 Bolt, . . . . .	.50	28 Main Spring Screw, . . . . .	.10
11 Base Pin, . . . . .	.35	Lock Frame, . . . . .	15.00
12 Base Pin Bushing, . . . . .	.60	Barrel, . . . . .	4.50
13 Main Spring, . . . . .	.35	Cylinder, . . . . .	4.50
14 Gate Spring, . . . . .	.10	Firing Pin, . . . . .	.15
15 Base Pin Catch, . . . . .	.10	Trigger Guard, . . . . .	4.00
16 Base Pin Catch Spring, . . . . .	.10	Back Strap, . . . . .	3.00
17 Base Pin Catch Screw, . . . . .	.10	Stocks, Rubber, per pair, . . . . .	1.15
18 Front Guard Screw, . . . . .	.10	Escutcheons, per set, . . . . .	.10
19 Rear Guard Screw (2) ea. . . . .	.10	Recoil Plate, . . . . .	.10
		Firing Pin Rivet, . . . . .	.10

# Component Parts of

COLT AUTOMATIC PISTOL (Caliber .45, Government Model)



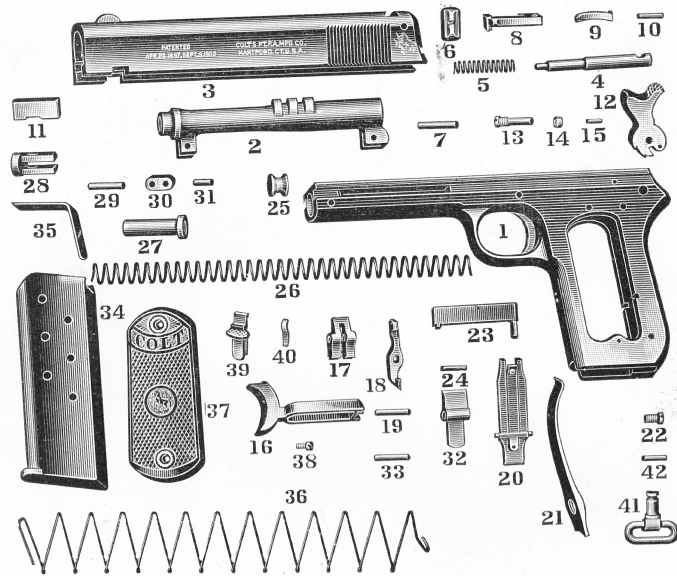
NOTE: When ordering parts, please be sure to give number of pistol and state "Government Model", as parts are different from the previous caliber .45 Colt Automatic Pistol.

1 Receiver, . . . . .	\$15.00	21 Firing Pin Spring, . . . . .	\$0.10	38 Housing Pin, . . . . .	\$0.10
2 Barrel, . . . . .	3.75	22 Firing Pin Stop, . . . . .	.45	39 Housing Pin Retainer, . . . . .	.10
3 Slide, . . . . .	9.00	23 Hammer, . . . . .	1.50	40 Lanyard Loop, . . . . .	.10
4 Plunger Tube, . . . . .	.75	24 Hammer Pin, . . . . .	.10	41 Lanyard Loop Pin, . . . . .	.10
5 Slide Stop Plunger, . . . . .	.10	25 Hammer Strut, . . . . .	.25	42 Magazine Complete, . . . . .	1.25
6 Plunger Spring, . . . . .	.10	26 Hammer Strut Pin, . . . . .	.10	46 Magazine Spring, . . . . .	.20
7 Safety Lock Plunger, . . . . .	.10	27 Main Spring, . . . . .	.10	47 Magazine Follower, . . . . .	.10
8 Slide Stop, . . . . .	1.20	28 Main Spring Cap, . . . . .	.10	48 Magazine Catch, . . . . .	.60
9 Rear Sight, . . . . .	.50	29 Main Spring Cap Pin, . . . . .	.10	49 Magazine Catch Spring, . . . . .	.10
10 Front Sight, . . . . .	.15	30 Sear, . . . . .	1.00	50 Magazine Catch Lock, . . . . .	.15
11 Link, . . . . .	.20	31 Sear Spring, . . . . .	.30	51 Stocks, right and left hand, pair, . . . . .	2.00
12 Link Pin, . . . . .	.10	32 Sear Pin, . . . . .	.10	52 Stock Screws (4), each, . . . . .	.10
13 Barrel Bushing, . . . . .	.75	33 Disconnecter, . . . . .	.80	53 Screw Bushings (4), each, . . . . .	.10
14 Recoil Spring, . . . . .	.15	34 Trigger, . . . . .	1.50		
15 Recoil Spring Guide, . . . . .	.45	35 Grip Safety, . . . . .	1.70		
16 Plug, . . . . .	.15	36 Safety Lock, . . . . .	1.50		
17 Extractor, . . . . .	.85	37 Main Spring Housing, . . . . .	1.50		
18 Ejector, . . . . .	.60				
19 Ejector Pin, . . . . .	.10				
20 Firing Pin, . . . . .	.35				

\*This part shown attached to Slide.

# Component Parts of

THE COLT AUTOMATIC PISTOL,  
CALIBER .38



In ordering, please give number of Pistol, and state whether Military or Pocket Model, as improvements have been made since first issue.

1 Receiver, . . . . .	\$22.00	23 Ejector, . . . . .	\$1.00
2 Barrel, . . . . .	5.50	24 Ejector Pin, . . . . .	.10
3 Slide, . . . . .	9.00	25 Recoil Plug, . . . . .	.10
4 Firing Pin, . . . . .	.50	26 Retractor Spring, . . . . .	.15
5 Firing Pin Spring, . . . . .	.10	27 Follower, . . . . .	.40
6 Rear Sight, . . . . .	.50	28 Plug (Take Down), . . . . .	.50
7 Firing Pin Lock Pin, . . . . .	.10	29 Plug and Link Pin, . . . . .	.10
8 Shell Extractor, . . . . .	.85	30 Links, (2) each, . . . . .	.15
9 Shell Extractor Spring, . . . . .	.10	31 Link Pin, Short, . . . . .	.10
10 Shell Extractor Pin, . . . . .	.10	32 Magazine Catch, . . . . .	.75
11 Slide Lock, . . . . .	.30	33 Magazine Catch Pin, . . . . .	.10
12 Hammer, . . . . .	1.30	34 Magazine, complete, . . . . .	1.25
13 Hammer Screw, . . . . .	.10	35 Magazine Follower, . . . . .	.10
14 Hammer Roll, . . . . .	.10	36 Magazine Spring, . . . . .	.20
15 Hammer Roll Pin, . . . . .	.10	37 Stocks, per pair, . . . . .	1.15
16 Trigger, . . . . .	1.90	38 Stock Screws, (4) each, . . . . .	.10
17 Sear, . . . . .	.85	39 Slide Stop, . . . . .	1.00
18 Safety, . . . . .	1.00	40 Slide Stop Spring, . . . . .	.15
19 Sear and Safety Pin, . . . . .	.10	41 Swivel, . . . . .	.50
20 Sear, Safety and Trigger Spring, . . . . .	.30	42 Swivel Pin, . . . . .	.10
21 Main Spring, . . . . .	.50	Escutcheons, per set, (4) . . . . .	.15
22 Main Spring Screw, . . . . .	.10	Front Sight, . . . . .	.25

# Component Parts of

THE COLT AUTOMATIC PISTOL, POCKET MODEL, HAMMERLESS  
CALIBERS .32 AND .380



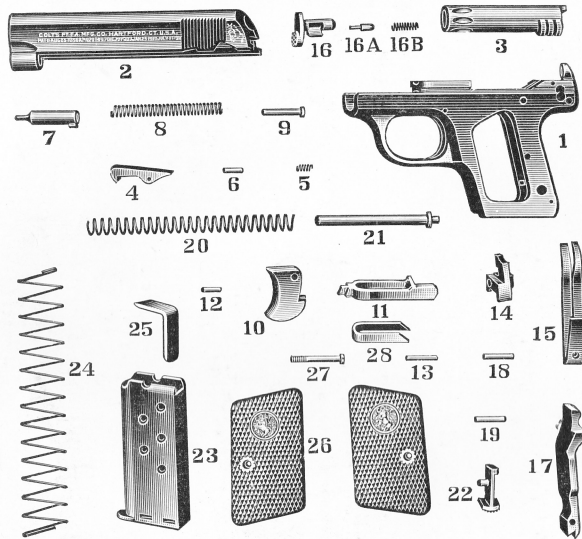
In ordering parts, please be sure to give number and caliber of Pistol, as improvements have been made since first issue.

1 Receiver, . . . . .	\$12.75	19 Sear and Safety Pin, . . . . .	\$0.10
2 Barrel, . . . . .	2.50	20 Sear, Safety and Trigger Spring, . . . . .	.20
3 Slide, . . . . .	6.50	21 Main Spring, . . . . .	.60
4 Front Firing Pin, . . . . .	.20	22 Plug, . . . . .	.10
4a Rear Firing Pin, . . . . .	.15	24 Ejector, . . . . .	1.25
5 Firing Pin Spring, . . . . .	.10	25 Ejector Pin, . . . . .	.10
6 Rear Sight, . . . . .	.40	26 Retractor Spring, . . . . .	.15
7 Firing Pin Lock Pin, . . . . .	.10	27 Retractor Spring Guide, . . . . .	.10
8 Shell Extractor, . . . . .	.50	28 Automatic Grip Safety, . . . . .	1.25
9 Shell Extractor Spring, . . . . .	.10	29 Automatic Safety Pin, . . . . .	.10
10 Shell Extractor Pin, . . . . .	.10	30 Magazine Catch, . . . . .	.40
12 Hammer, . . . . .	.60	31 Magazine, complete, . . . . .	.75
13 Slide Lock Safety, . . . . .	.60	32 Magazine Follower, . . . . .	.10
14 Hammer Roll, . . . . .	.10	33 Magazine Spring, . . . . .	.20
15 Hammer Roll Pin, . . . . .	.10	34 Stocks, Checked Walnut, per pair, . . . . .	1.25
16 Trigger, . . . . .	1.20	35 Stock Screw, . . . . .	.10
17 Sear, . . . . .	.75	Escutcheons, per set, . . . . .	.10
18 Safety, . . . . .	.60	Front Sight, . . . . .	.15



# Component Parts of

THE COLT AUTOMATIC PISTOL  
POCKET MODEL, HAMMERLESS, CALIBER .25



In ordering parts, please be sure to give number of Pistol, as improvements have been made since first issue.

1 Receiver, . . . . .	\$9.00	16B Slide Lock Safety Plunger, . . . . .	.10
2 Slide, . . . . .	5.00	17 Grip Safety, . . . . .	.90
3 Barrel, . . . . .	1.75	18 Grip Safety Pin, . . . . .	.10
4 Extractor, . . . . .	.30	19 Sear Pin, . . . . .	.10
5 Extractor Spring, . . . . .	.10	20 Retractor Spring, . . . . .	.15
6 Extractor Pin, . . . . .	.10	21 Retractor Spring Guide (Com- plete with Safety Disconnect- er and Spring), . . . . .	.35
7 Firing Pin, . . . . .	.50	22 Magazine Catch, . . . . .	.45
8 Main Spring, . . . . .	.15	23 Magazine Spring, . . . . .	.65
9 Main Spring Guide, . . . . .	.10	24 Magazine Follower, . . . . .	.10
10 Trigger, . . . . .	.35	25 Magazine Follower, . . . . .	.10
11 Connector, . . . . .	.90	26 Stocks, Checked Walnut, per pair	1.25
12 Trigger Pin, . . . . .	.10	27 Stock Screw, . . . . .	.40
13 Sear Stop Pin, . . . . .	.10	28 Safety Disconnecter, . . . . .	.10
14 Sear, . . . . .	.60	Escutcheons, per set, . . . . .	.10
15 Sear, Safety, Trigger, and Maga- zine Catch Spring, . . . . .	.20		
16 Slide Lock Safety, . . . . .	.65		

# Component Parts of

THE COLT AUTOMATIC PISTOL, TARGET MODEL, HAMMERLESS  
CALIBER .22



In ordering parts, please be sure to give number of Pistol.

1 Receiver, . . . . .	\$15.00	17 Magazine Catch and Sear Spring, com- plete, . . . . .	\$0.60	34 Sear Pin, . . . . .	\$0.10
**2 Barrel, . . . . .	5.60	19 Magazine Follower, . . . . .	.25	36 Side Plate, Screw, . . . . .	.40
3 Slide, . . . . .	5.00	20 Magazine Follower Pin, . . . . .	.15	37 Side Plate Screw, . . . . .	.10
4 Ejector, . . . . .	.35	22 Magazine Spring, . . . . .	.20	38 Stock—right, . . . . .	1.25
5 Ejector Pin, . . . . .	.10	23 Magazine, com- plete, . . . . .	2.00	39 Stock—left, . . . . .	1.25
6 Extractor, . . . . .	.50	24 Main Spring, . . . . .	.15	40 Stock Screw, . . . . .	.10
7 Extractor Plunger, . . . . .	.15	25 Main Spring Cap, . . . . .	.10	*41 Escutcheons, per set, . . . . .	.10
8 Extractor Spring, . . . . .	.10	26 Main Spring Cap Pin, . . . . .	.10	43 Trigger, . . . . .	.75
9 Firing Pin, . . . . .	.40	27 Main Spring Housing, . . . . .	1.50	44 Trigger Bar, . . . . .	.60
10 Firing Pin Spring, . . . . .	.10	28 Assembly Lock, Pin, . . . . .	.10	45 Trigger Pivot, . . . . .	.15
11 Firing Pin Stop Screw, . . . . .	.10	30 Recoil Spring, . . . . .	.15	46 Trigger Spring, complete, . . . . .	1.35
12 Hammer, . . . . .	.75	31 Recoil Spring Guide, . . . . .	.20	47 Rear Sight, complete, . . . . .	1.35
14 Hammer Strut, Pin, . . . . .	.10	32 Safety Lock, . . . . .	1.00	53 Front Sight, Blade, . . . . .	1.15
15 Assembly Lock Plunger, . . . . .	.15	33 Sear, . . . . .	.75	54 Front Sight Pin, Locking Screw, . . . . .	.10
16 Housing Lock- ing Pin, . . . . .	.10			55 Front Sight Ad- justing Screw, . . . . .	.10
				56 Front Sight Ad- justing Spring, . . . . .	.10
				57 Front Sight Locking Screw, . . . . .	.10

\*These parts shown inserted in stocks. \*\*With Front Sight.

The following Marks used on the Arms Manufactured by  
**COLT'S PATENT FIRE ARMS MANUFACTURING COMPANY**  
 are Legal Trade Marks registered in the U. S. Patent Office.

The word "COLT".  
 The representation  
 of a Rampant Colt.



The words and letters:  
 "Colt's Pt. F. A. Mfg. Co.,  
 Hartford, Ct., U. S. A."

The words "NEW SERVICE".

The word "Colt"  
 above the representation  
 of a Rampant Colt.



The words **POLICE-  
 POSITIVE**

The words **POCKET-  
 POSITIVE**



**COLT'S PT. F.A.MFG. CO.  
 HARTFORD, CT. U.S.A.**

## Order Blank

(To be sent to your dealer.)

\_\_\_\_\_ (Date) .....

(Dealer's name) .....

(Street address) .....

(City) ..... (State) .....

Please send me promptly by.....  
(Parcel Post — Express)  
 the COLT Firearm described below, for which I inclose \$ .....

Model ..... Caliber .....

Length of Barrel ..... Finish .....  
(Blued or Full Nickerled)

(Name) .....

(Street) .....

(City) ..... (State) .....

To render the best service possible to our customers we  
 distribute through the local dealer. He will be as glad to pro-  
 cure the Arm you desire as we are to serve you.

*COLT'S PATENT FIRE ARMS MFG. CO.*

*Hartford Conn., U. S. A.*

# Colt's Patent Fire Arms Mfg. Co.

THE JOHNS-PRATT COMPANY, DIVISION  
Hartford, Conn.

IN 1922 the Colt's Patent Fire Arms Mfg. Company with a view of expanding its field in the manufacture of PROTECTIVE PRODUCTS embraced the opportunity offered to add to its organization The Johns-Pratt Company, which was founded in 1886.

The union of these two old established concerns has brought under one management the production of a unique and comprehensive line of PROTECTIVE PRODUCTS. A glance through the following list shows not alone the wide range of our manufactures but also that the term PROTECTIVE PRODUCTS correctly describes them.

## COLT FIRE ARMS:

Revolvers  
Automatic Pistols  
Automatic Machine Guns  
Automatic Machine Rifles  
Thompson Submachine Guns

## COLT Autosan Dish- Washing Machines

## COLT Autosan Metal Parts Washing Machines

## ELECTRICAL

Trade-NOARK-Mark

## CUT-OUT BASES

## FUSES:

Automobile  
Enclosed  
High Potential  
Indicating  
Non-Indicating  
Renewable  
Renewable Fuse Links



## MOLDED PRODUCTS

## TO SPECIFICATIONS:

Bakelite  
Vulcabeston  
"201 Stock"

## FROM STOCK:

Radio Parts  
Street Railway  
Insulators  
Strain Insulators  
Weatherproof  
Sockets

## PACKING

Trade - VULCABESTON - Mark

Air Pump Packing  
Asbestos Sheet Packing  
Pump Valves  
Valve Discs  
Valve-Stem and Rod  
Packing

## SWITCHES:

Meter Service  
Main Entrance

## CAST IRON:

Service Boxes  
Car Fuse Boxes  
Underground Boxes (Also Aluminum)

Printed in U. S. A





